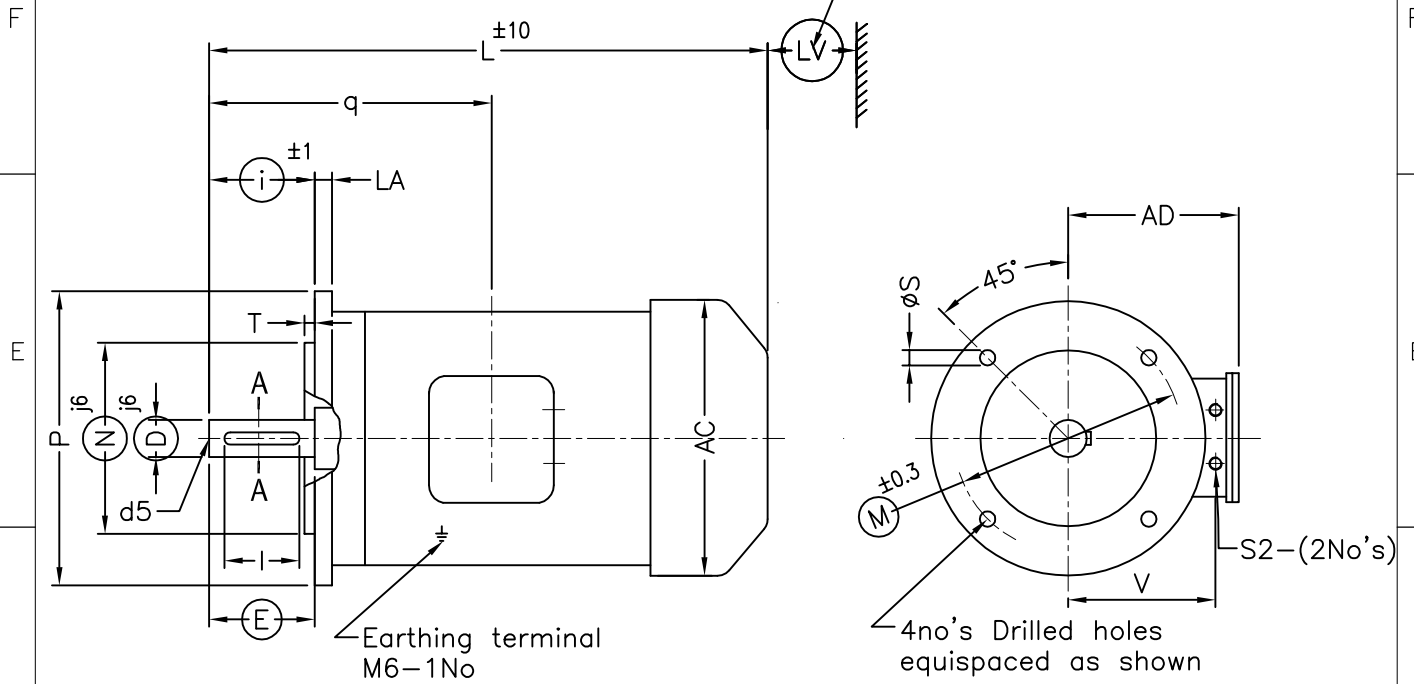


ALL DIMENSIONS ARE IN MM UNLESS OTHERWISE SPECIFIED

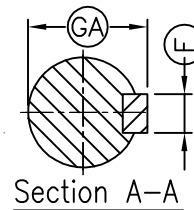
SCALE - N.T.S.

Minimum distance for efficient cooling of motor (To be maintained by user)



IEC Frame	Pole	Fixing					General						T box				
		P	N	M	i	S	T	LA	AD	AC	L	LV	g	V	q	AG	S2
200L	2	400	300	350	110	19	5	15	319	394	795	80	262	249	398	172	2" BSC

Shaft					
D	E	F	GA	I	d5
55	110	16	59	100	M20

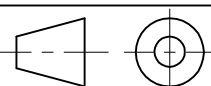


Notes:-

- Terminal box can be rotated in 360 deg in steps of 90 deg.
- Ringed dimensions are as per IS:1231/IEC60072/IS:2223

Customer		Project	
P.O. No.		Consultant	
kW/Pole		Client/Contractor	
Frame		Package	
SO No.		Tag no's	

A	NAME	DATE	TITLE: DIMENSION DRAWING 3PH SQUIRREL CAGE, TEFC (FLANGE MOUNTED) INDUCTION MOTOR (INCREASE SAFETY /NON SPARKING)
	DRN	YCJ 07.04.2015	
	CHD		
	APPD		



DRG. No: **A20L251RC**