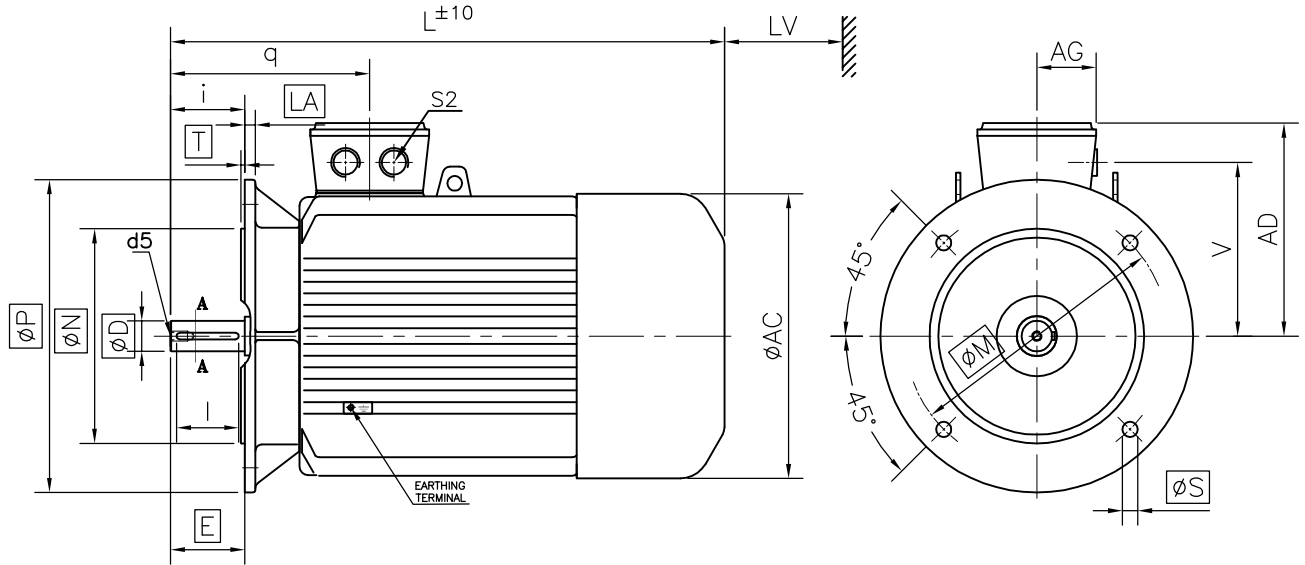


We reserved all rights for this document & the information contained there in. Reproduction, use & disclosure to third party without express authority is strictly prohibited.

ALL DIMENSIONS ARE IN MM UNLESS OTHERWISE SPECIFIED

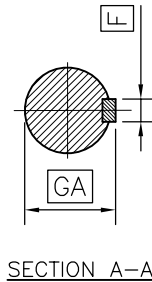


IEC Frame	Pole	φP	φN	φM	i	φS	T	LA	AD	φAC	L	LV	V	q	AG	S2
132S	2,4	300	230	265	80	15	4	12	196	260	475	50	159	196	63	2x1"BSC
	6,8										459					

Shaft					
φD	E	F	GA	I	d5
38	80	10	41	70	M12

NOTES:-

- 1) SQUARE ('□') DIMENSIONS ARE AS PER IS:2223.
- 2) 'LV' IS MINIMUM DISTANCE TO BE MAINTAINED FOR EFFICIENT COOLING.
- 3) BODY MATERIAL-ALUMINIUM



AMENDMENT	NO.	DATE	DESCRIPTION	SIGN	DATE				
©	-		DRG. REVISED FOR STANDARDIZATION	VJM	27.06.18				
©	D-4		AMENDED FOR NEW DESIGN	RBK	06.03.18				
REV	ZONE		DESCRIPTION	SIGN	DATE				
DRN	NAME	DATE	TITLE: DIMENSIONAL DRAWING	W.O.NO.	SCALE				
CHD	APH	18.11.2017				Untolerated dimensions IS:1231 / IS:2223 / IS:2102-1-Very Coarse	FR. SIZE		
APPD	JBG	18.11.2017							
Bharat Bijlee AIROLI, NAVI MUMBAI									DRG. NO:
			REF.		B5				132S